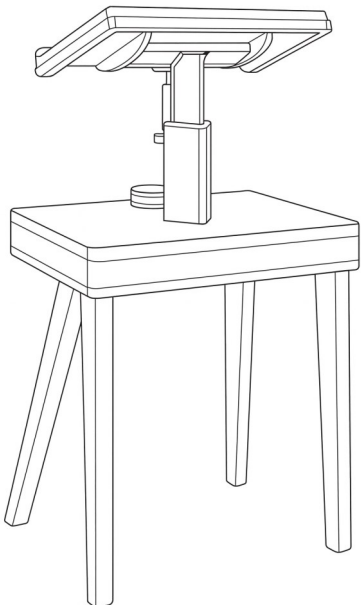


# Fisher Enterprises

## Assembly Instructions—Speaker Stand Model 101



Thank you for your speaker stand purchase.

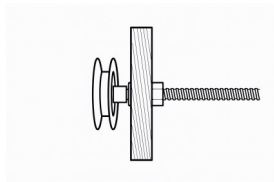
If you have any difficulties assembling your stand you may contact us via telephone at (716) 2940-0180 or email us at:

Fisher@speakerstand.net

### Parts list:



Base



Raising Mechanism



Height adjustment block



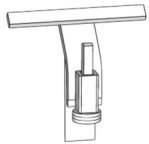
5/16"nut (4)



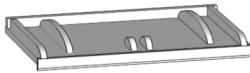
Split lock washer (4)



Flat washer (4)

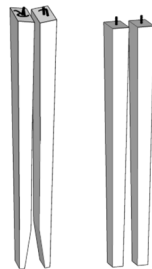


Height adjustment insert



Table

Back Legs (L and R)

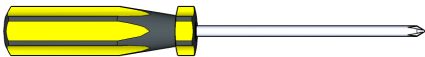


Front legs

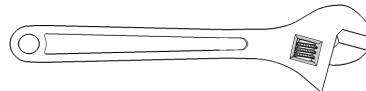


Belt

### Tools required:

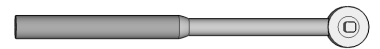


#2 Philips screwdriver



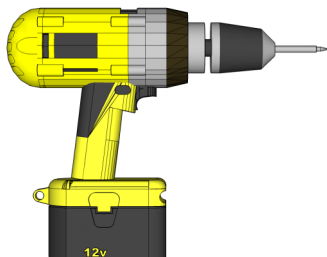
Adjustable wrench

OR

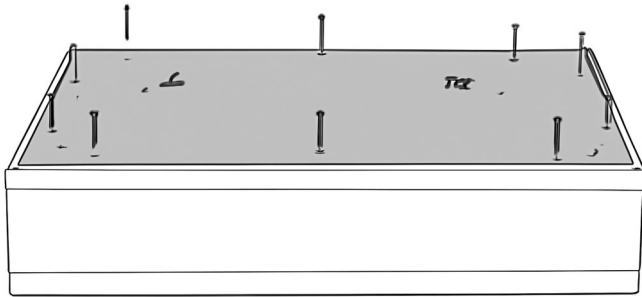


5/16"socket and wrench

or for faster assembly

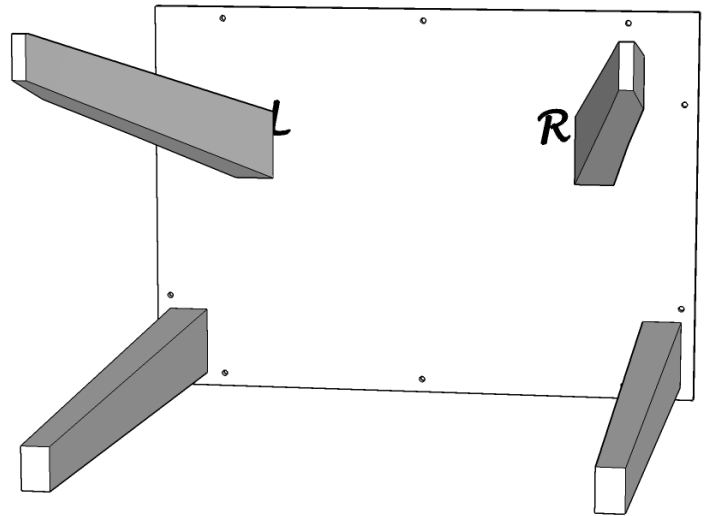


**Tip:** If you are using a cordless drill that has an adjustable clutch, set it around 5-7 to avoid over tightening the screws.



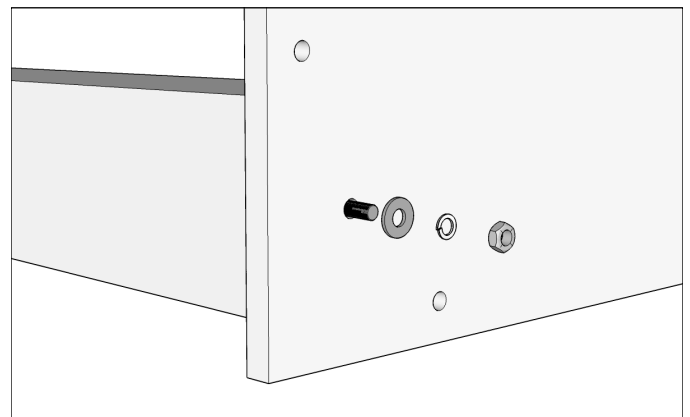
Step 1: Place the base top upside down on a surface that will not scratch the wood. Remove bottom and save screws

Step 2: Remove all of the screws from the bottom cover and set them aside so that they can be reinstalled later. Remove the bottom cover from the base and prepare to attach the legs. Note that the left and right side are marked with the letter L and R.

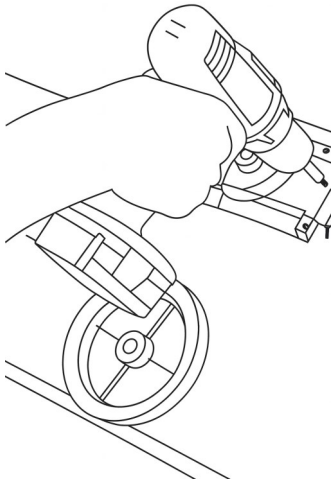
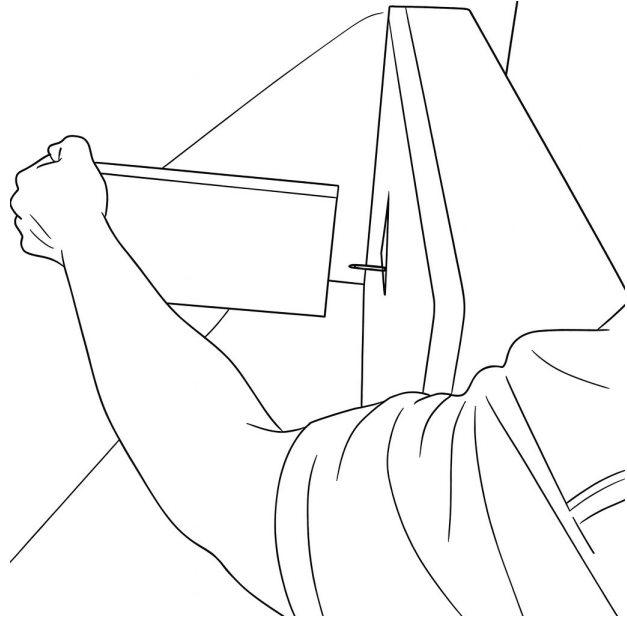


Step 3: Install all four legs as shown. Remember to make sure that the back legs are matched up with the left and right side.

If lectern is electric, be sure to thread cord through hole in bottom and down the groove in leg.

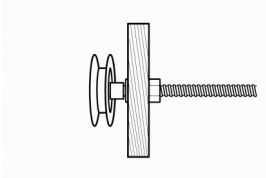


**Step 4:** Attach height adjustment block to main base. Use the four 2" screws. Please be sure to use existing bores. You may need two people for this procedure.

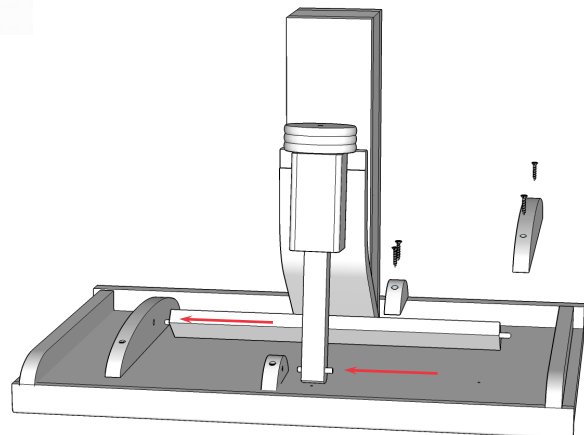


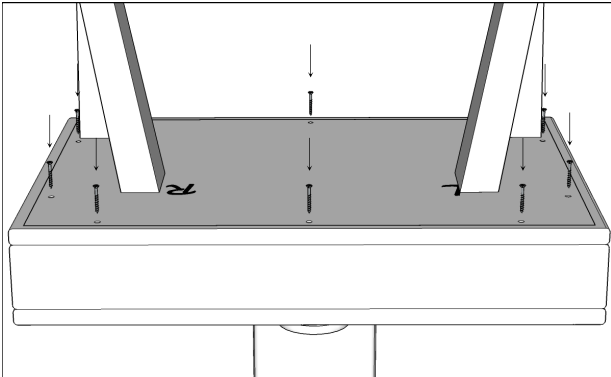
**Step 5:** Install raising mechanism with two 1 1/4" screws.

**IMPORTANT:** Match marks and use existing bores to attach this mechanism. Failure to do so will result in a misalignment and operation of the lectern will suffer. Connect belt to the two pulleys.



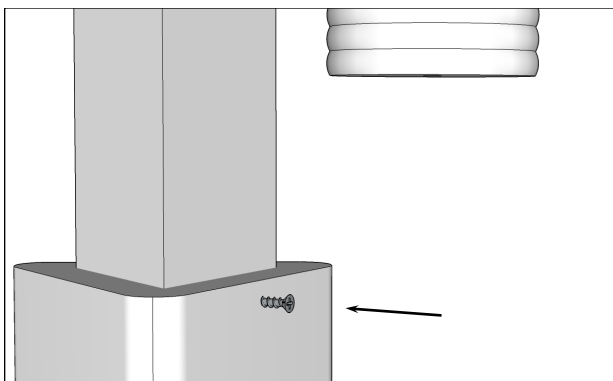
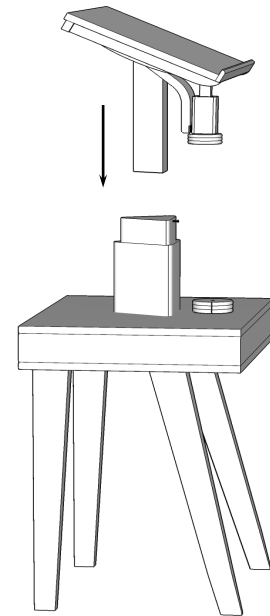
**Step 6:** Attach the table to the height adjuster insert. Remove the screws from the small and large half moon shaped pieces on one side. Slide the pins on the adjustable section into the mounting holes. Reinstall the small and large half moon shape pieces. **Be sure to use existing bores**





**Step 7:** Reinstall the bottom cover and attached legs using the screws previously removed from the base. We suggest placing lectern between two chairs

**Step 8:** Install the adjustable section onto the base. Turn the adjustment knob clockwise to lower it about 1 inch.  
If your lectern is electric, use switch to lower the tilting table assembly.



**Step 9:** Tighten the safety stop screw. This will prevent the adjustable section from extending too far.

---

**Troubleshooting:**

1. **After putting everything together, it's difficult to raise the adjuster column with the knob.**  
It may be that the raising mechanism is misaligned. Remove pulley with long screw from adjuster column. Reinsert long screw into metal plate. Reattach to base with two screws, but don't use the same bored holes as before. Reattach belt. Check for obstructions in the outer column. Sometimes a piece of felt may have become loose and is hindering movement.
  
- 2 **We have the electric version. The motor has problems raising the adjuster column.**  
The problem may be the same as troubleshooting point #1. Also, check the plastic pulley to make the set screws (there are two) are tight against the pole on the motor. The belt may be slipping and needs to be sprayed with belt conditioner.
  
- 3 **Our furniture arrived with damage to the finish. There's a crack in the wood.**  
Great care was taken in packing your furniture, but occasionally it arrives damaged. Please take pictures of the damage and email them to [sales@speakerstand.net](mailto:sales@speakerstand.net). Some minor scratches can be covered up with a colored marker.

**Maintenance:**

Long screw should be lubricated from time to time to keep raising mechanism running smooth.

We recommend cleaning your furniture with a product such as Orange-Glo, or a lemon oil, or Murphy's Oil Soap. Furniture polishes such as Pledge can dull the finish over time.

Please refrain from leaning on lectern. This can damage the tilt mechanism over time.

Once table reaches it maximum tilt, don't continue to tighten or turn knob. This causes the mechanism to bind and then it is difficult to tilt the table.