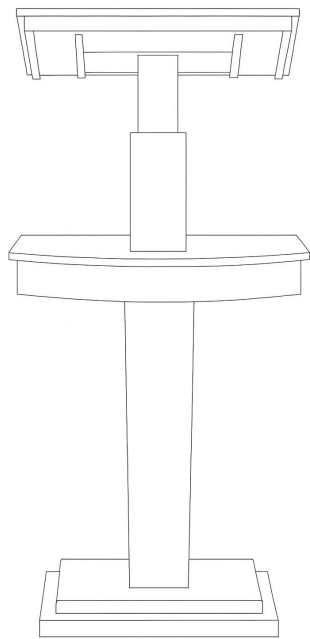


Fisher Enterprises

Assembly Instructions—Modern Speaker Stand Model 701



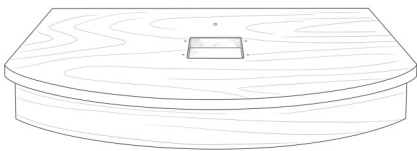
Thank you for your speaker stand purchase. You can find links to animated assembly instructions at www.speakerstand.net

If you have any difficulties assembling your stand you may contact us via telephone at (716-294-0180) or email us at:

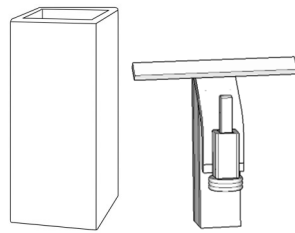
sales@speakerstand.net

Replacement parts are also available.

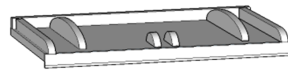
Parts list:



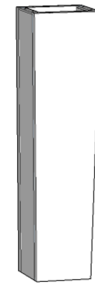
Base



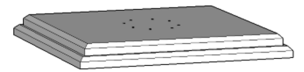
Adjustable section



Table



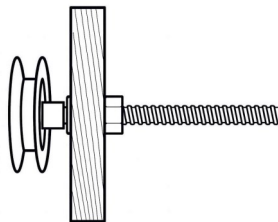
Center Column



Foot



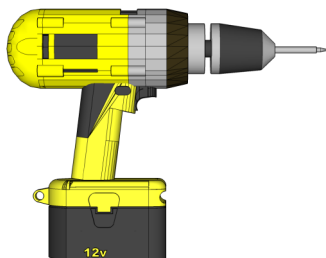
Belt



Raising Mechanism



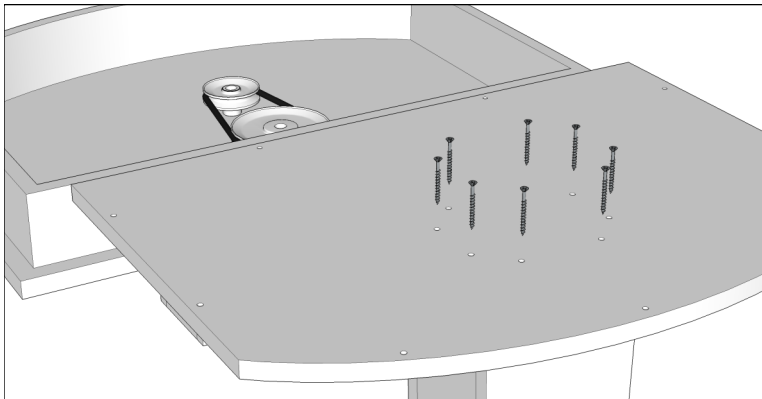
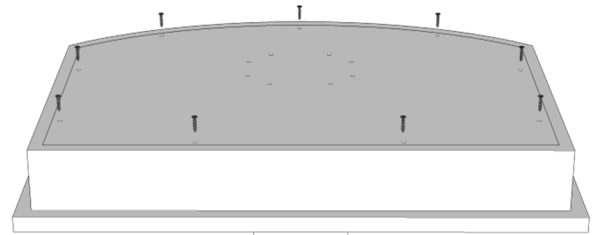
2 1/2" Screw(8) 2" Screw (8)



Tools required:

Step 1: Place the base top upside down on a surface that will not scratch the wood.

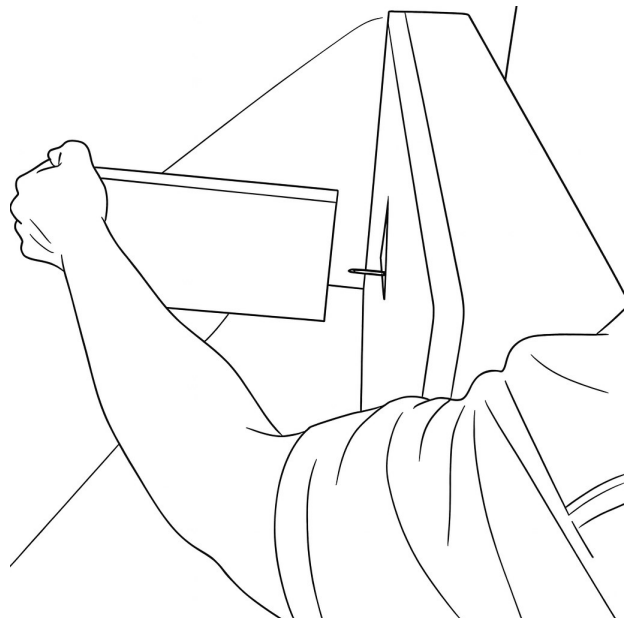
Step 2: Remove all of the screws from the bottom cover and set them aside so that they can be reinstalled later. Remove the bottom cover from the base and prepare to attach the center column. Note that the arrows indicate which side faces the front and top and bottom.

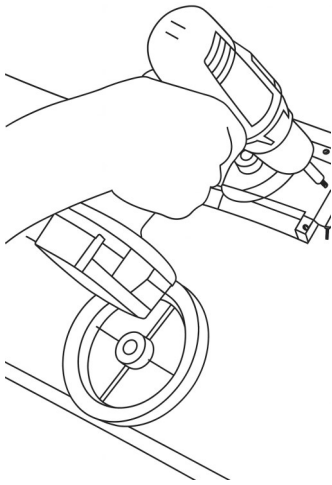


For electric models. Before proceeding to step 3, remove plug and thread cord through hole in bottom cover. Also before step 5, thread cord through hole in foot.

Step 3: Place the bottom cover onto the center column. Attach with 2" screws.

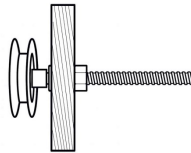
Step 4: Attach height adjustment block to main base. Use the four 2" screws. Please be sure to use existing bores.



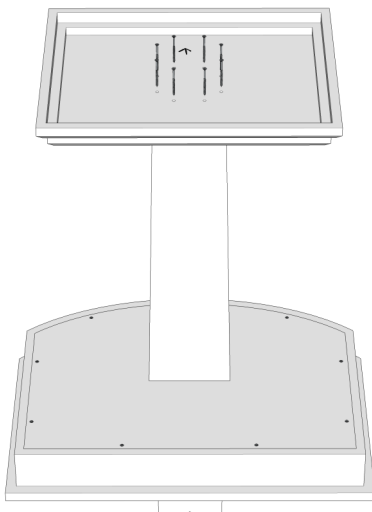
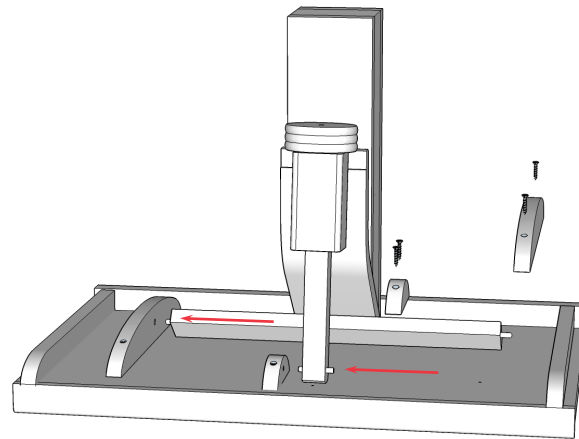


Step 5: Install raising mechanism with two 1 1/4" screws.

IMPORTANT: Match marks and use existing bores to attach this mechanism. Failure to do so will result in a misalignment and operation of the lectern will suffer.

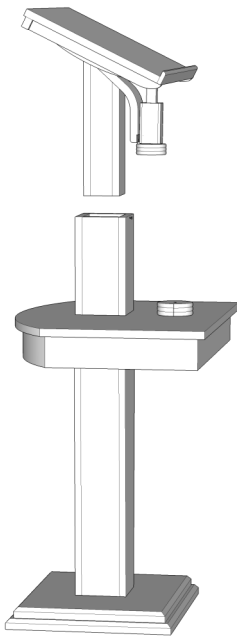
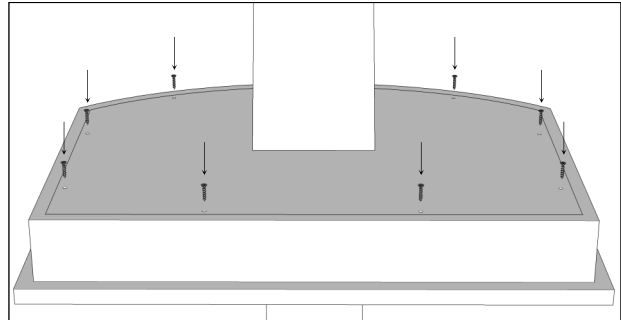


Step 6: Attach the table to the adjustable section. Remove the screws from the small and large half moon shaped pieces on one side. Slide the pins on the adjustable section into the mounting holes. Reinstall the small and large half moon shape pieces.



Step 5: Now attach foot to bottom of center column. Arrow on bottom of base indicates which side faces front. Use eight 2 1/2" screws.

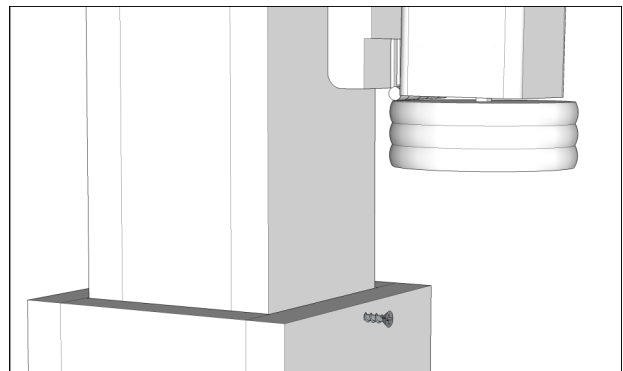
Step 6: Reattach bottom cover with center column to base. Recommended to place lectern between two chairs



Step 7: Install the adjustable section onto the base. Turn the adjustment knob clockwise to lower it. Plug in cord for electric models and press switch.

Tip: the threads on the adjustment mechanism may need lubricated with 1 or 2 drops of all purpose lubricant on occasion to ensure smooth operation.

Step 8: Tighten the safety stop screw. This will prevent the adjustable section from extending too far.



Troubleshooting:

1. After putting everything together, it's difficult to raise the adjuster column with the knob.

It may be that the raising mechanism is misaligned. Remove pulley with long screw from adjuster column. Reinsert long screw into metal plate. Reattach to base with two screws, but don't use the same bored holes as before. Reattach belt. Check for obstructions in the outer column. Sometimes a piece of felt may have become loose and is hindering movement.

2. The tilt adjustment is different from what we're use to..

The old tilt adjustment was problematic with the bolt and set screw. The new tilt adjuster is much simpler and longer lasting. The part that will wear out is the adjuster arm that can be turned around to use the other side, or it can easily be replaced. To operate, loosen knob while holding the table with your other hand. Adjust angle and then tighten. Be sure to tighten securely so that the reading surface won't move.

3. We have the electric version. The motor has problems raising the adjuster column.

The problem may be that the long bolt needs a little more grease. After greasing the bolt, rock the switch back and forth at the point the motor has problems raising the adjuster column.

4. Our furniture arrived with damage to the finish. There's a crack in the wood.

Great care was taken in packing your furniture, but occasionally it arrives damaged. Please take pictures of the damage and email them to sales@speakerstand.net. Some minor scratches can be covered up with a colored marker.

Maintenance:

Long screw should be lubricated from time to time to keep raising mechanism running smooth.

We recommend cleaning your furniture with a product such as Orange-Glo, or a lemon oil, or Murphy's Oil Soap. Furniture polishes such as Pledge can dull the finish over time.