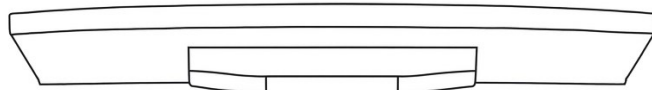
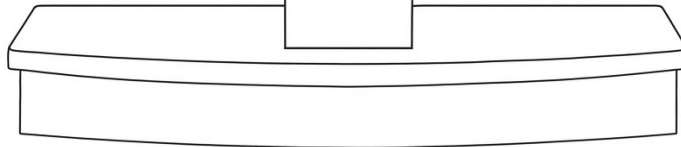


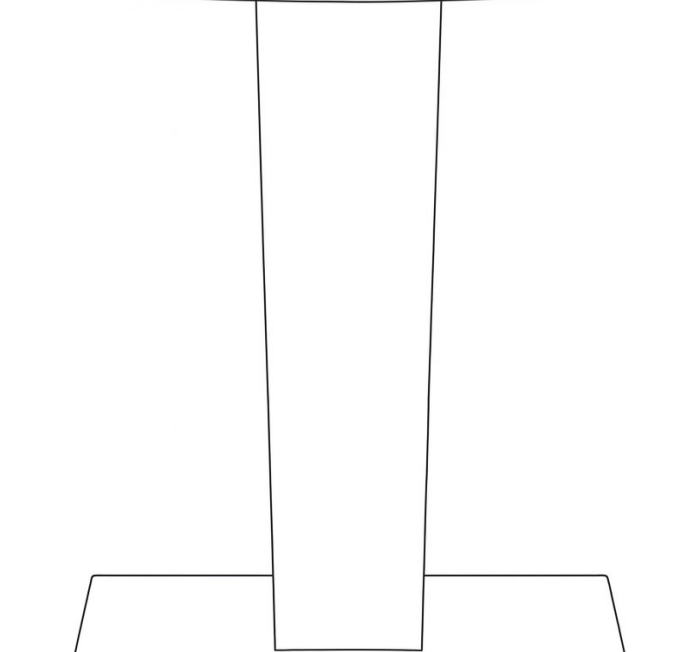
Adjustable table



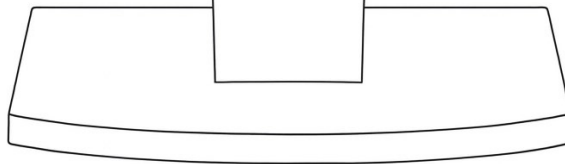
Adjustable column



Base Table



Outer column



Foot

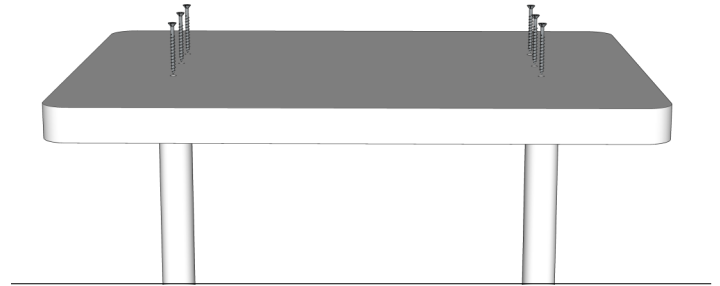
# Fisher Enterprises Assembly Instructions—Speaker Stand Model 801

---

## Step 1: Attach Foot

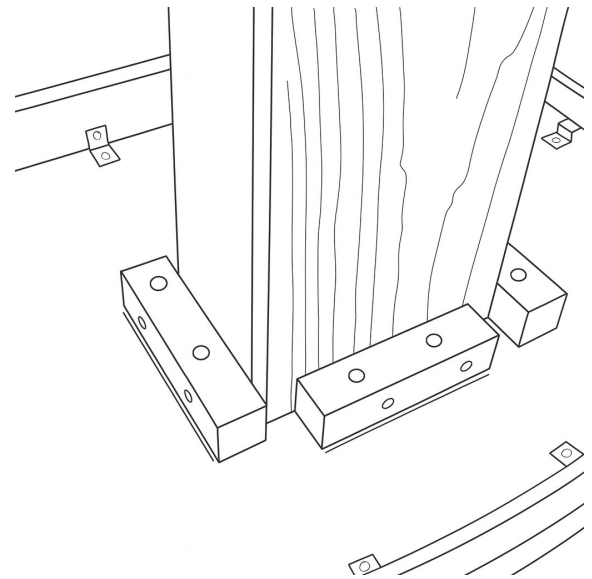
Remove all contents from the box .. Gas spring is located in one of the filler boxes.

Attach the foot to the outer column with the eight 2 1/2" inch Philips screws.



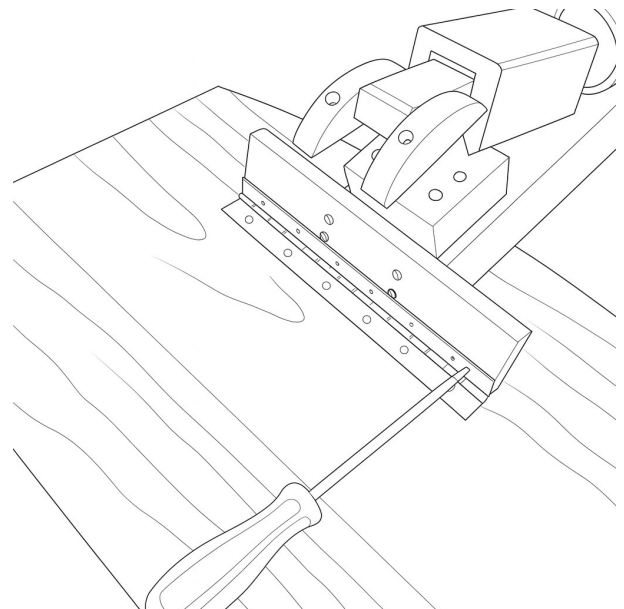
## Step 2: Attach Outer column to inside of base table

Flip base table over and attach assembled outer column attaching the brackets to bottom of base table using 1 5/8" screws. Use lines and existing bores to line up outer column with opening in base table.



## Step 3 Attach Adjustable Table

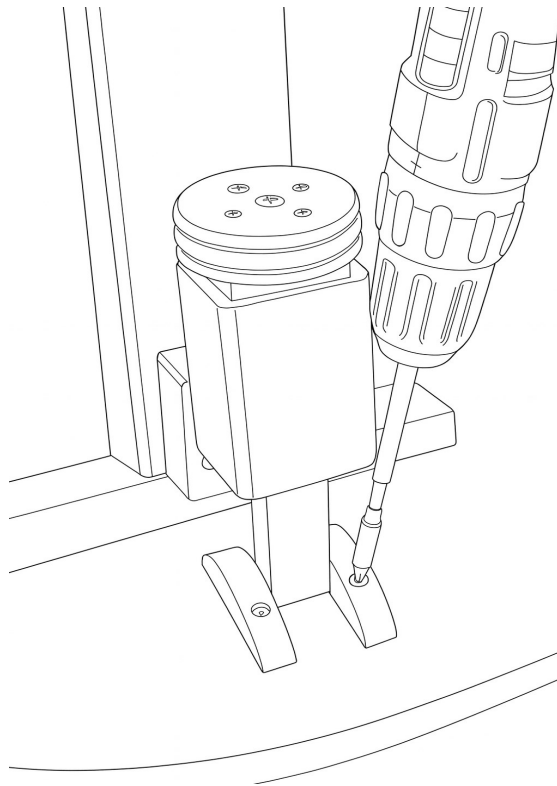
Place adjustable table on flat surface with the hinge side up. Fasten the hinge to the adjustable column as shown. Use five 5/8" inch screws.



**Step 4: Assemble Tilt Mechanism**

Attach half moons to adjustable table with 1 1/4" screws

Attach lip to adjustable table with three 1 1/4" screws. Cover with dowels.



**Step 5 Insert Gas Spring**

With the adjustable column still upside down, insert gas spring into bore at the top.



**Step 7: Final Assembly**

Carefully insert the adjustable column into base. Be careful to avoid scratching the shelf with the end of the gas spring.

There's a tension knob that can be adjusted if the adjustable column moves too easily.

Troubleshooting:

**1. The inner column keeps popping up and does not hold in place, or it's difficult to raise**

Tighten the tension knob located on the back of the base column to keep stand from moving from it's position. Loosen if it seems to difficult to raise. Note: Do not lean on tilting table as the gas spring will not support the extra weight.

**2. Our furniture arrived with damage to the finish. There's a crack in the wood.**

Great care was taken in packing your furniture, but occasionally it - arrives damaged. Please take pictures of the damage and email them to [sales@speakerstand.net](mailto:sales@speakerstand.net). Some minor scratches can be covered up with a colored marker.

**3. What do we do when the gas spring wears out?**

The gas spring is guaranteed for one year. It can easily be replaced. Please contact us if the gas spring is not operating properly.

Maintenance:

We recommend cleaning your furniture with a product such as Orange-Glo, or a lemon oil, or Murphy's Oil Soap. Furniture polishes such as Pledge can dull the finish over time.